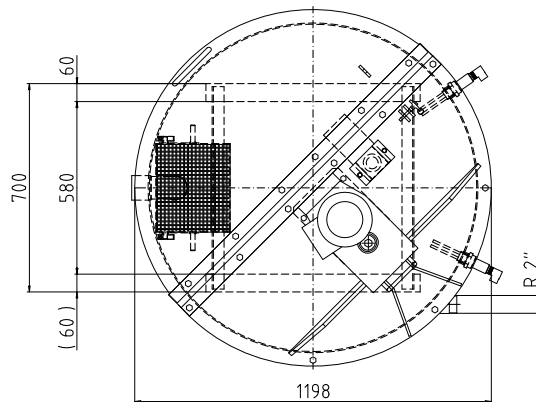
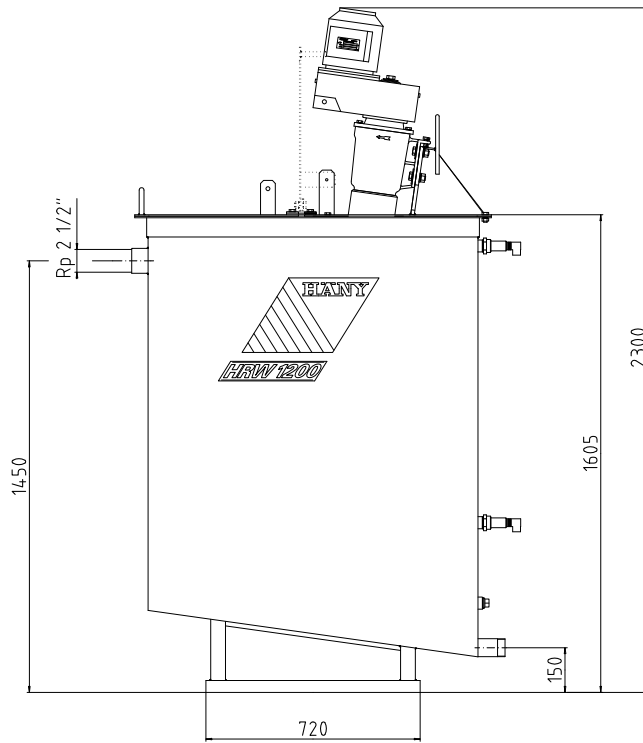


Data sheet

HRW 1200

Usable content		l	1050
Electric motor	50 Hz	kW	1.5
	60 Hz	kW	1.8
Agitator speed	50 Hz	min ⁻¹	34
	60 Hz	min ⁻¹	40
Weight		kg	450



Hány AG reserves the right to make improvements and modifications to their equipment without notice.

GROUTING SYSTEMS



AGITATOR HRW 1200

The agitator HRW 1200 is used as storage tank between a batch mixer, such as the HCM, and the grout pump for continuous operation. The stirring paddle prevents the grout from settling out of suspension and removes any air bubbles from the mix. The slanting stirring paddle together with a special arrangement of the paddle blades ensure complete circulation of the tank content. A safety switch turns off the agitator whenever the tank cover is removed.

ACCESSORIES:

LEVEL PROBES 1", "FULL - EMPTY"

for the operation in automated plants

GROUTING SYSTEMS

HÄNY

